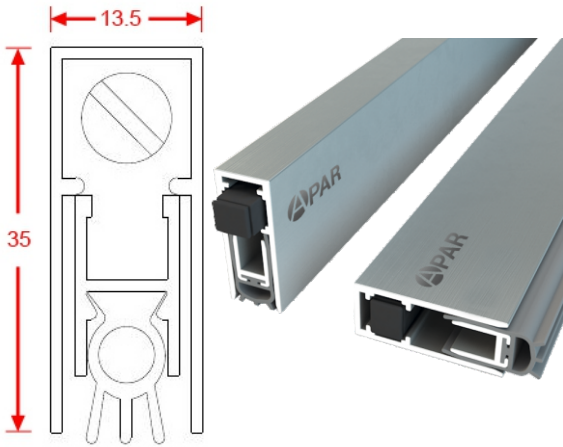




Automatic door drop seal



CAT I

Features & Specifications

- Brand Name : APAR
- Size : 300mm to 2500mm
- Material : High quality Aluminium Extrusion
- Min/Max Gap : 3mm / 14mm
- Seal : PVC (Soft Grey), EPDM, Silicon

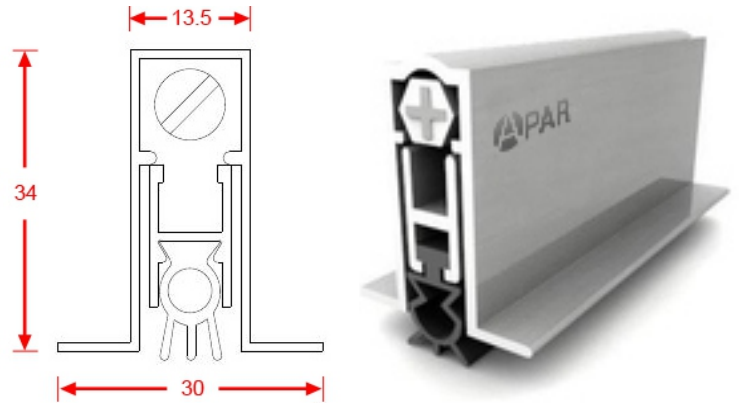
These are used to seal the gap between floor and bottom of door.

CAT II

Features & Specifications

- Brand Name : APAR
- Size : 300mm to 2500mm
- Material : High quality Aluminium Extrusion
- Min/Max Gap : 3mm / 14mm
- Seal : PVC (Soft Grey), EPDM, Silicon

These are used to seal the gap between floor and bottom of door.

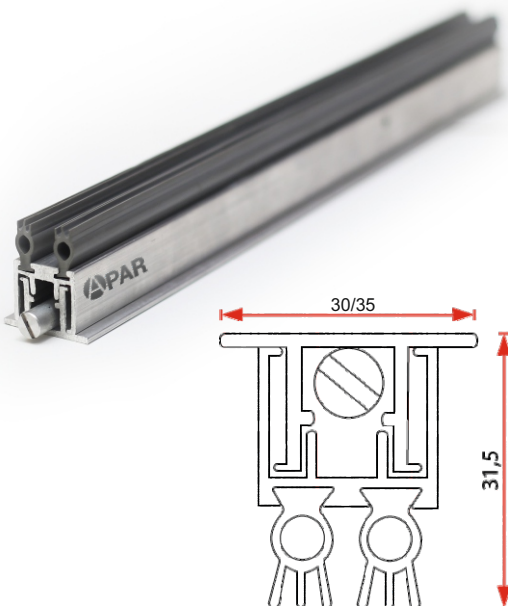


CAT III

Features & Specifications

- Brand Name : APAR
- Size : 300mm to 2500mm
- Material : High quality Aluminium Extrusion
- Min/Max Gap : 3mm / 14mm
- Seal : PVC (Soft Grey), EPDM, Silicon

These are used to seal the gap between floor and bottom of door.



S.S hinges

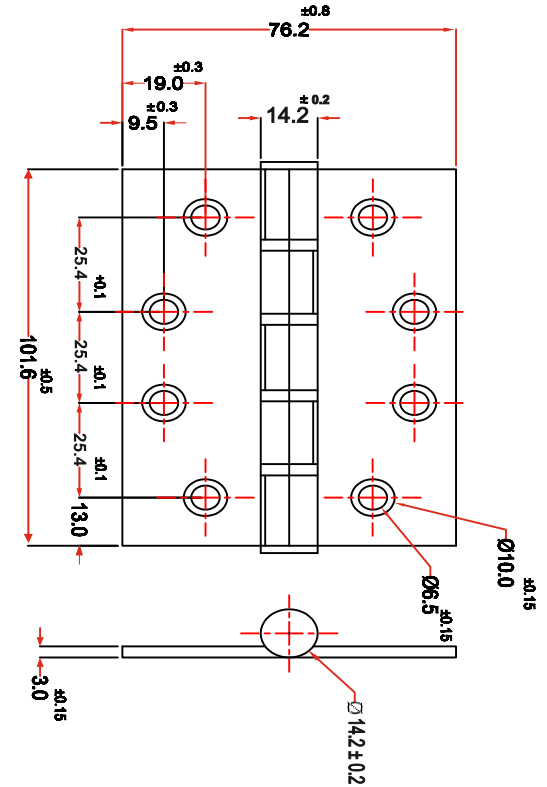
Features & Specifications

Size : 102mm X 76mm X 3mm

Material : Stainless Steel 304 Grade

Finish : Satin Stainless Steel

S.S. Ball Bearing hinge manufactured with two ball bearings for smooth and silent operation. Non removable flat pin provides extra security.



S.S tower flush bolt

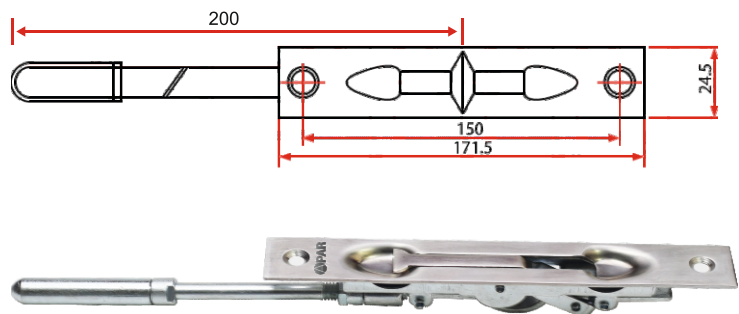
Features & Specifications

Size : 200 mm X 24.5mm

Material : Stainless Steel 304 Grade

Finish : Satin Stainless Steel

These are generally used to minimise the bacteria formation at inner side of door.



Door Stopper



Features

This element is a door stopper that features a durable stainless steel construction. It has got a special protection, so doors will not become damaged. This door stopper has got openings for mounting screws. It is designed to use on the floor.

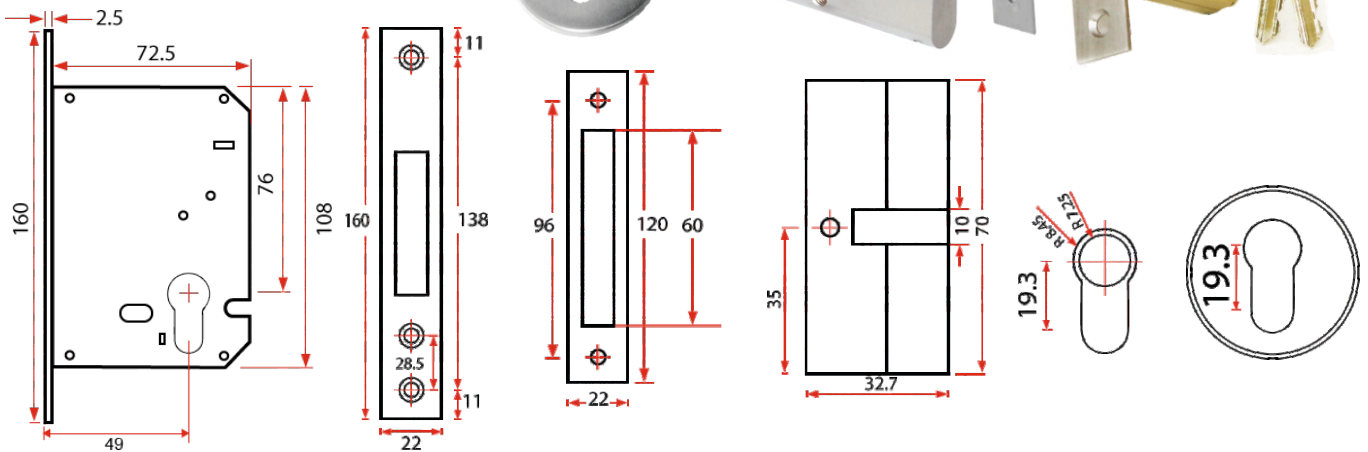
Features & Specifications

Lock case size : 160 mm (L) X 75 mm (Back Set) Powder Coated C.R. Steel

Lock Section : 52 mm X 10 mm Brass

Cylinder : 70 mm Brass (Both side key & one side key / one side Thumb turn)

These Dead Locks come with standard sized cylinder for smooth operation. These are suitable for wooden as well as metal doors.



Mortise lock

Features & Specifications

Dimensions : 240 mm (L) X 75 mm (Back Set) Powder Coated C.R. Steel

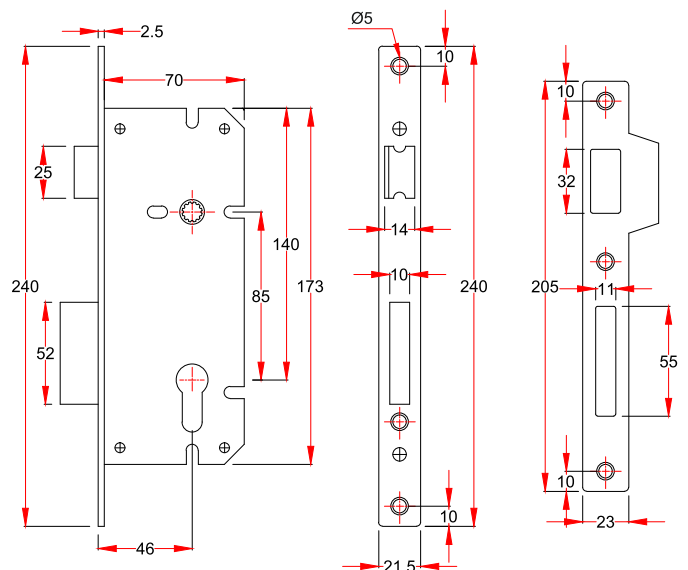
Lock Section : 52 mm X 10 mm Brass

Cylinder : 70 mm Brass (Both side key & one side key / one side Thumb turn)

Handle : S.S 304 Mortise Rose Handle

These Dead Locks come with standard sized cylinder for smooth operation.

These are suitable for wooden as well as metal doors.



Aluminium Riser Dampers

Features & Specifications

Brand Name : APAR

Size : 100mm to 1500mm

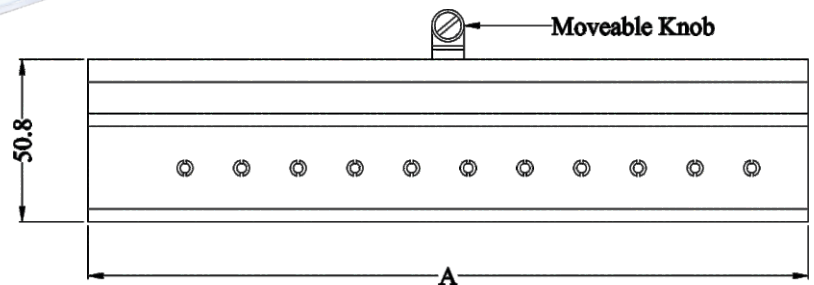
Material : High quality Aluminium Extrusion

Dampers are used in buildings to regulate the flow of air in an HVAC system. They can be used in intake, exhaust, or mixed air applications. There are two categories of control dampers:

- Balancing
- Volume Control



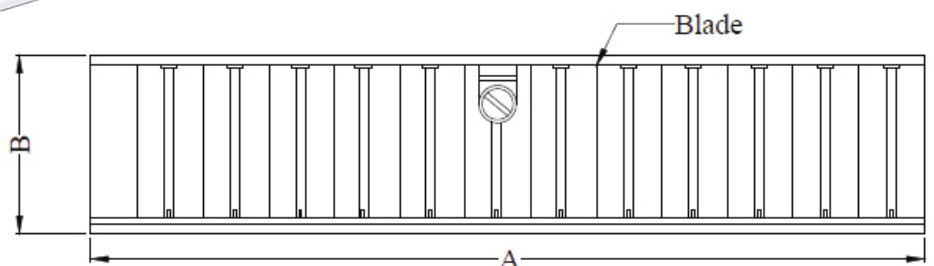
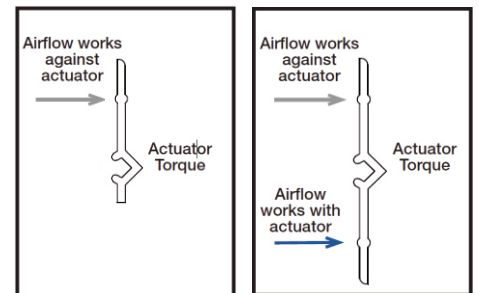
**Aluminium multileaf damper
side knob operate**



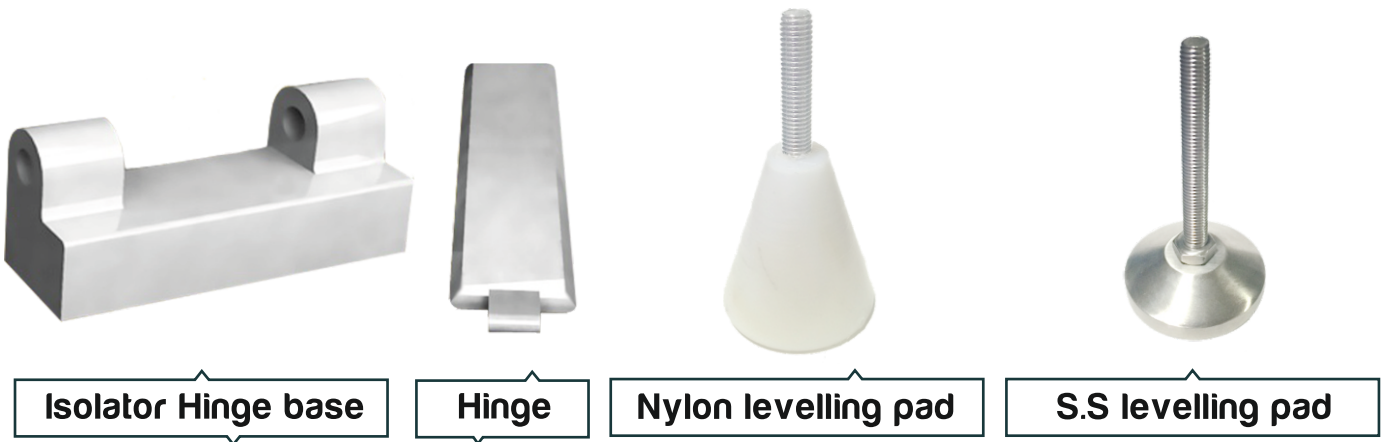
V Blade Features

- V-type extruded aluminium blades
- V-type grooves running the full length of the blade to increase strength
- Low to medium velocity and pressure applications

**Aluminium multileaf damper
front side knob operate**



Isolator accessories



Pass box accessories



S.S 304 Gr Flag Hinge

S.S 304 Gr Hepa Filter Clamp



S.S 304 Gr D O P port M8 Thread



S.S 304 Gr Atmospheric Nozzle



Nylon Levelling Pad



S.S 304 Levelling Pad





S.S Window Hinge

Features & Specifications

Size: 75x50x2.5 mm

Material: Stainless Steel 304 Grade

Finish: Satin Stainless Steel

S.S Flush Handle

Features & Specifications

Size: 120x41x2 mm

Material: Stainless Steel 304 Grade

Finish: Satin Stainless Steel



S.S Pull Handle

Features & Specifications

Size: 130x22x2 mm

Material: Stainless Steel 304 Grade

Finish: Satin Stainless Steel

These handles can be used specially for Windows. These handles are manufactured for generally use. Single piece can be fitted through screws.

S.S. "C" Handle

Features & Specifications

Size: Ø 10 x 4" & 6"

Material: Stainless Steel 304 Grade

Finish: Satin Stainless Steel

These handles can be used specially for Cabinets & Pass Boxes.



Magnetic Catchers

Features & Specifications

Material: PVC & M.S

Color: White

Finish: Color Coated

Mounting Type: Door Mount

S.S Knob (Push-Pull Knob)

Features & Specifications

Material: S.S 202
Finish: S.S Satin
Head Shape: Round
Surface Finished: Polished



Restriction Stay Arm

Features & Specifications

Material: Stainless Steel 304 Grade
Finish: Anodized Silver
Usage: All Types of Windows

Restriction stays are **MAINTENANCE FREE**

Factory set friction level provides friction consistency and no on-site adjustment requires.

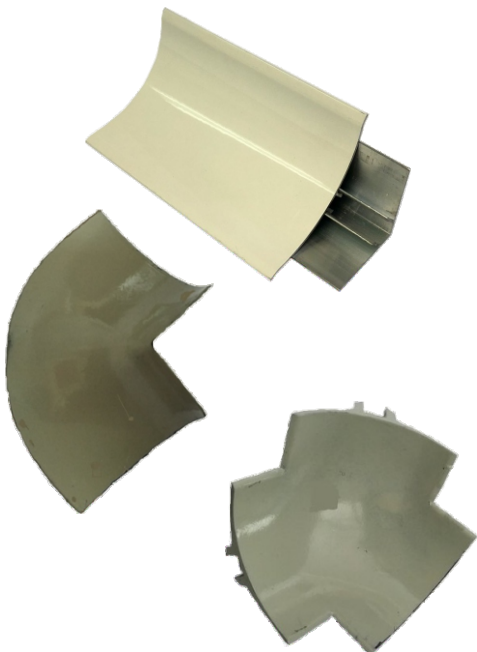
Restriction stays will hold in position at any opening angle subject to unusual wind force.

Dead Lock Small

Features & Specifications

Lock case size: 138 mm (L) X 81 mm (Back Set) Powder Coated C.R. Steel
Lock Section 36 x 10 mm
Key Hole Distance: 55mm
Cylinder: 70 mm Brass (Both side key & one side key / one side Thumb turn)

These Dead Locks come with standard sized cylinder for smooth operation. These are suitable for wooden as well as metal doors.



Coving & Corners

Features & Specifications

Material: Aluminium
Size: - R 40/R 50 mm x 3000 mm
Fixing: Backing angle fixed with screws and coving clips into place.
Sealing: Coving can be sealed at either edge with proprietary sealant.
Coving provides a way to eliminate 90° angles within the cleanroom environment.

Supplied in 2 parts, the coving provides a rounded, flush and easy to clean corner.

Usage: Clean rooms & Cold rooms



APAR ENGINEERS PRIVATE LIMITED

F -64, Phase VII, Industrial Area, Mohali (Punjab) - 160055

+91-172-5053912

+91-94175-53912

+91-92175-53912

E-Mail: info@aparengineers.com, aparengineers@gmail.com

Website: www.aparengineering.in



Accelerate your business potential with innovative PRODUCTS